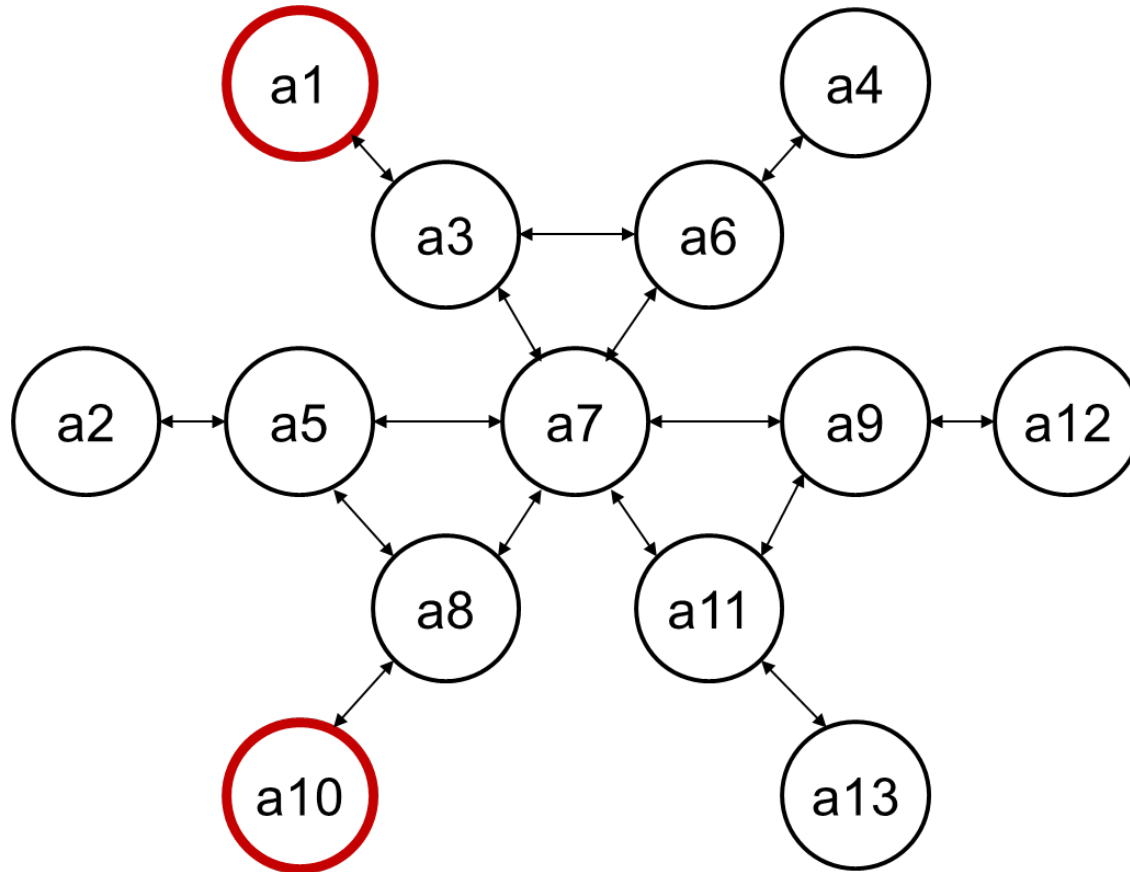


Exercise



Start from the initial state “a1” and find the goal state “a2” using:

1. depth-first search method
2. breadth-first search method

Avoid cycles!

